

Beside Pantry

North America Price List – February 2024





This Haworth North American price book contains US list prices.

Canadian customers can convert the US list price into their Canadian equivalent by going to www.Haworth.com/Canada to find the current Canadian multipliers. These multiplier factors allow you to convert the US list price into a Canadian list price.

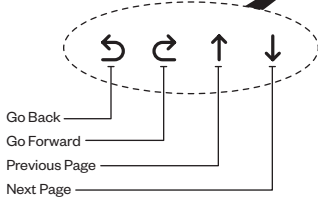
Haworth Price List Overview

Tips for Using Haworth Price Lists

The following overview explains how information is organized within the Beside® Pantry price list.

Navigation Links

Use the links to jump back and forth to relevant pages.



Modular Lower Storage
2H Slim Pedestal - Attached

Personal Drawer/Open

Features

- 4" (102mm) depth pedestal with front back, left and right, and center pull with 1/2" (13mm) adjustment range.
- 4" (102mm) depth pedestal with front back, left and right, and center pull with 1/2" (13mm) adjustment range.
- 4" (102mm) depth pedestal with front back, left and right, and center pull with 1/2" (13mm) adjustment range.
- 4" (102mm) depth pedestal with front back, left and right, and center pull with 1/2" (13mm) adjustment range.
- 4" (102mm) depth pedestal with front back, left and right, and center pull with 1/2" (13mm) adjustment range.

To Order Specify:

- Case Grade A
- Case Grade B
- New Locking
- Locking and 150% Load
- 15% Load For Case
- 150% Load For Case
- 150% Load For Case
- 150% Load For Case

Specification Tips

Modular Lower Storage pedestals are used in the following:

- For storage of 100mm and 150mm depth components, requires a separately specified 100mm or 150mm depth pedestal.
- For storage of 200mm and 300mm depth components, requires a separately specified 200mm or 300mm depth pedestal.
- For storage of 400mm and 500mm depth components, requires a separately specified 400mm or 500mm depth pedestal.
- For storage of 600mm and 800mm depth components, requires a separately specified 600mm or 800mm depth pedestal.

Height	Depth	Width	Number	Case Grade A		Case Grade B	
				A	B	A	B
150mm	100mm	600mm	1	150	150	150	150
150mm	150mm	600mm	1	150	150	150	150
150mm	200mm	600mm	1	150	150	150	150
150mm	300mm	600mm	1	150	150	150	150
200mm	100mm	600mm	1	150	150	150	150
200mm	150mm	600mm	1	150	150	150	150
200mm	200mm	600mm	1	150	150	150	150
200mm	300mm	600mm	1	150	150	150	150
300mm	100mm	600mm	1	150	150	150	150
300mm	150mm	600mm	1	150	150	150	150
300mm	200mm	600mm	1	150	150	150	150
300mm	300mm	600mm	1	150	150	150	150

Page Tabs

Use color coded tabs at the top of each page to determine which section you are in.



Haworth Price Books are organized into the following sections:

Price List Section

Statement of Line

Statement of Line
Provides a visual overview of the product offering.

Modular Lower Storage
2H Slim Pedestal - Attached

Price List
Includes product features, specification tips, catalog numbers and list pricing.

Resources Section

Surface Materials

Finishes and Fabrics
Lists available product finishes and fabrics.

Index

Index
Lists products alphabetically by catalog number.

Product Compatibility and Limited Warranty Policy

Warranty and Terms of Sale
Provides warranty information and general terms.

Table of Contents

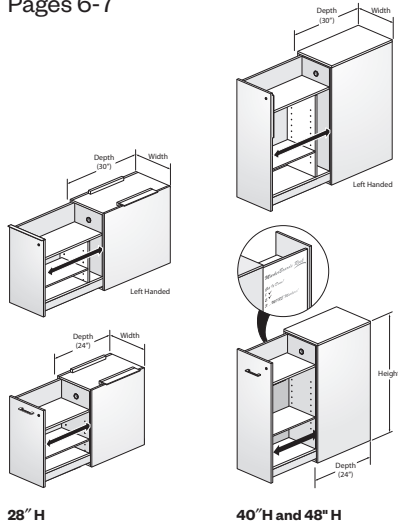
Price List

Statement of Line	5
Storage Pantry	
28"H	6
40"H and 48"H	7
Finished Back	9
Accessories	
Personal Drawer	10
Hanging File Drawer	10
Adjustable Shelf	10
Upper Slat Rail	11
Lower Slat Rail	11
Saddle	11
Attachment Brackets	12
Electrical Components	
Bezel Utility Model	14
Jumpers	14
Grommet	15
Resources	
Surface Materials	16
Index	17

Statement of Line

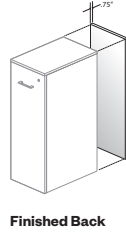
Storage Pantry

Pages 6-7



Finished Back

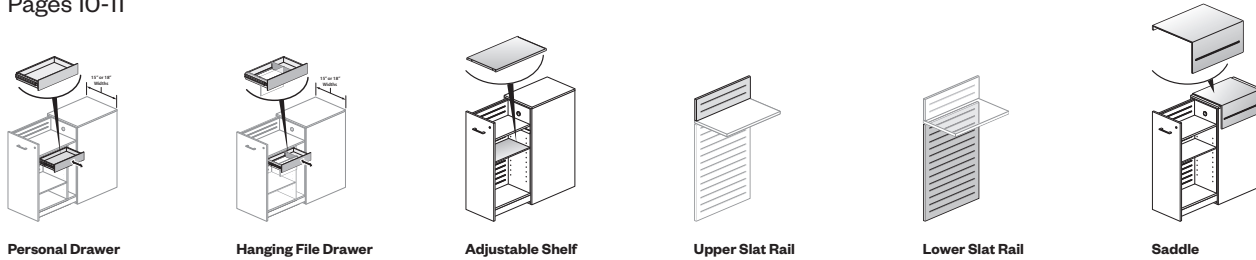
Page 9



Finished Back

Accessories

Pages 10-11



Personal Drawer

Hanging File Drawer

Adjustable Shelf

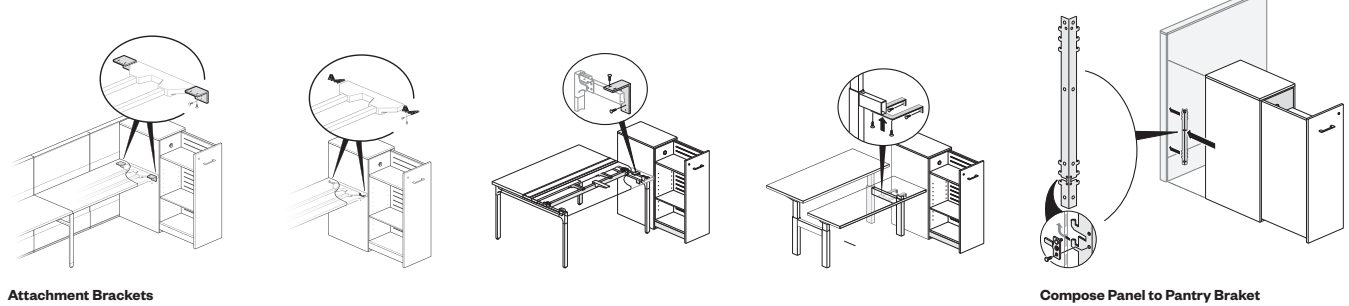
Upper Slat Rail

Lower Slat Rail

Saddle

Attachment Brackets

Pages 12-13

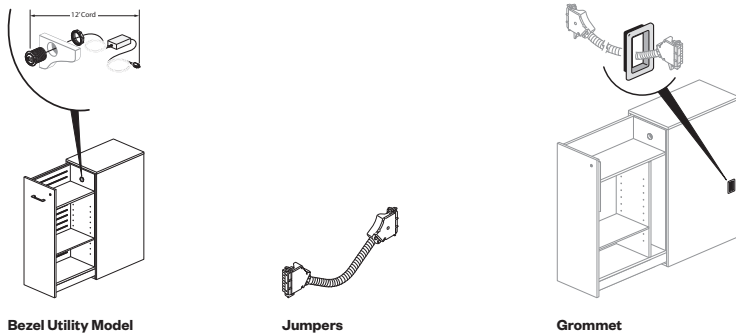


Attachment Brackets

Compose Panel to Pantry Bracket

Electrical Components

Pages 14-15



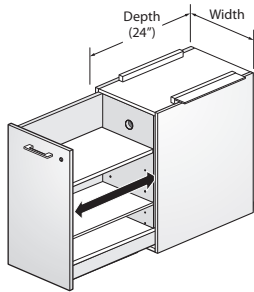
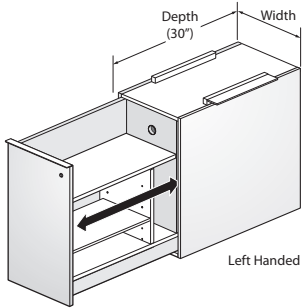
Bezel Utility Model

Jumpers

Grommet

Storage Pantry

28"H



QLG1-ZLLF
Class BD - Discount Group XII

Features

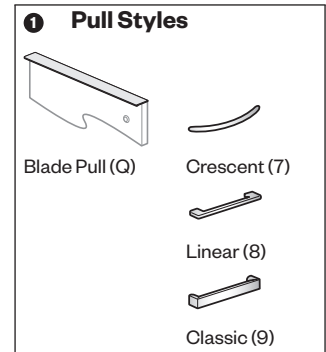
- Includes: High Pressure Laminate (HPL) case with sliding pull out storage pantry, spacer, glides and one center caster.
- Spacer: 1.18"(30mm)H.
- Glides: Adjustment range: 1.25"(32mm).
- Center Caster: Height adjustable caster located in the center front of the pull out storage pantry. Adjustment range: 1"(25mm).
- Full extension slides.
- Storage pantry standard with fixed shelf between upper and lower storage compartments.
- Pantry drilled with holes in 2"(51mm) increments to accept separately specified adjustable shelf.
- Pantry interior standard in laminate matching case.
- 15"(381mm) and 18"(457mm)W units accommodate standard height binders in lower storage compartment.
- Crescent, Linear and Classic pulls are brushed nickel finish. Blade pull available in trim color.
- Optional USB Power Cutout comes with a precut hole to accept a round Bezel Utility Module.
- Bezel Utility Module is separately specified.
- Lock option standard in chrome.
- Digital locks available. For this and other lock options, refer to Lock Program section in the Accessories Price List.

Specification Tips

- Maximum load capacity of 125 pounds.
- For use beneath a separately specified adaptable worksurface; storage pantry standard with spacer provides a 29"(737mm) finished height worksurface.
- Must be attached under an adaptable worksurface equal to or greater than pantry depth.
- Not for use with Intuity worksurfaces.
- When using pantry to support one end of a worksurface in a panel application, secure worksurface to panel using a corner bracket, cantilever, or pantry to panel bracket; separately specified.
- Separately specified and field installed options include:
 - Finished back
 - Bezel Utility Module (must be installed prior to installing a finished back)
 - Adjustable shelf
 - Upper and lower slat rails
- 28"(711mm)H pantry not available with inner pantry markerboard side panel option.
- Upper storage compartment is 6.38"(162mm)H.
- Lower Storage compartment is 13.64"(346mm)H.
- Lower storage compartment of 24"(610mm)D pantry consists of one storage section. 30"(762mm)D pantry lower storage compartment comprised of two storage compartments.
- Door Orientation: If pantry is located on left-hand side of the user it is left-handed. If located on right-hand side of user it is right-hand
- Not for use with Saddle Cover.

To Order, Specify:

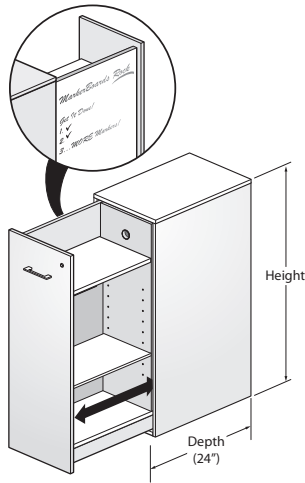
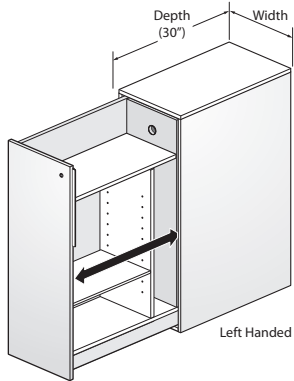
- Product number, including:
 - Pull Option:** (see side bar)
 - Q** Blade (add **\$56.32** list)
 - 7** Crescent
 - 8** Linear
 - 9** Classic
 - User Orientation:**
 - L** Left-Hand
 - R** Right-Hand
 - Lock Option:**
 - L** Locking (add **\$56.33** list)
 - N** Non-Locking
 - USB Power Cutout Option:**
 - N** No power cutout
 - Y** Bezel Utility Module power cutout (add **\$70.40** list)
- Case exterior laminate finish.
- Case exterior laminate edgeband color.
- Front laminate finish color.
- Front laminate edgeband color (if applicable).
- Trim color (Spacer and Blade pull if applicable).



Height	Depth	Width	Number	Case HPL A Front - HPL		Case HPL B Front - HPL	
				1234 A	B	A	B
28"(711mm)	24"(610mm)	12"(305mm)	QLG1-2812-ZLLF	\$2845.36	\$2880.65	\$3001.73	\$3037.02
		15"(381mm)	QLG1-2815-ZLLF	2904.49	2940.09	3064.70	3100.30
		18"(457mm)	QLG1-2818-ZLLF	2963.62	2999.22	3127.67	3163.27
30"(762mm)	12"(305mm)	12"(305mm)	QLM1-2812-ZLLF	\$3014.20	\$3049.49	\$3182.81	\$3218.10
		15"(381mm)	QLM1-2815-ZLLF	3073.33	3108.93	3245.78	3281.38
		18"(457mm)	QLM1-2818-ZLLF	3132.46	3168.06	3308.75	3344.35

Storage Pantry

40"H and 48"H



QLG1-LLF
Class BD - Discount Group XII

Features

- Includes: High Pressure Laminate (HPL) case and front sliding pull out storage pantry, glides and one center caster.
- Glides: Adjustment range: 1.25"(32mm).
- Center Caster: Height adjustable caster located in the center front of the pull out storage pantry. Adjustment range: 1"(25mm).
- Full extension slides.
- Storage pantry standard with fixed shelf between upper and lower storage compartments.
- Pantry drilled with holes in 2"(51mm) increments to accept separately specified adjustable shelf.
- Pantry interior standard in laminate matching case.
- 15"(381mm) and 18"(457mm)W units accommodate standard height binders in lower storage compartment.
- Optional USB Power Cutout Option comes with a precut hole to accept a round Bezel Utility Module. Bezel Utility Module is separately specified.
- Available with laminate or markerboard inner pantry side panel option. Inner pantry side panel is located on the non-user side of the pull out pantry. Laminate option matches case exterior laminate. Markerboard option will have markerboard on both sides of the panel.
- Crescent, Linear and Classic pulls are brushed nickel finish. Blade pull available in trim color.
- Lock plug standard in chrome.
- Digital locks available. For this and other lock options, refer to Lock Program section in the Accessories Price List.

Specification Tips

- 40"(1016mm) and 48"(1219mm)H pantry supports maximum load capacity of 180 pounds.
- 12"(305mm)W units must be attached. (Refer to specification guidelines).
- 15"(381mm) and 18"(457mm)W units can be freestanding.
- Extended depth pantry designed for back to back application to fill the gap on a bench or panel application.
- Separately specified and field installed options include:
 - Finished back
 - Bezel Utility Module (must be installed prior to installing a finished back)
 - Adjustable shelf
 - Upper and lower slat rails
- Upper storage compartment is 6.38"(162mm)H.
- Lower Storage compartment height:
 - 40"(1016mm)H pantry - 27.98"(711mm)H
 - 48"(1219mm)H pantry - 35.98"(914mm)H
- Lower storage compartment of 24"(610mm)D pantry consists of one storage section. 30"(762mm)D pantry lower storage compartment comprised of one storage compartment and one valet with coat hook.
- User Orientation: If pantry is located on left-hand side of the user it is left-handed. If located on right-hand side of user it is right-hand
- The following are recommended to maintain markerboard appearance:
 - Dry erase marker kit (includes holder, six markers and eraser), order part# 7062-8001.
 - Markerboard cleaner and conditioner, order part# 7031-7001.
 - Markerboard spray cleaner, order part# 7031-7002.

To Order, Specify:

1) Product number, including:

1 Inner Pantry Side Panel Option:

- Z** Laminate
- Y** Markerboard (add **\$56.33** list)

2 Pull Option: (see side bar)

- Q** Blade (add **\$56.32** list)
- 7** Crescent
- 8** Linear
- 9** Classic

3 User Orientation:

- L** Left-Hand
- R** Right-Hand

4 Lock Option:

- L** Locking (add **\$56.33** list)
- N** Non-Locking

5 USB Power Cutout Option:

- N** No power cutout
- Y** Bezel Utility Module power cutout (add **\$70.40** list)

2) Case laminate color.

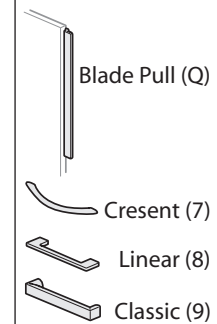
3) Case laminate edgeband color.

4) Front laminate color.

5) Front laminate edgeband color.

6) Pull trim color (Blade pull only).

1 Pull Styles

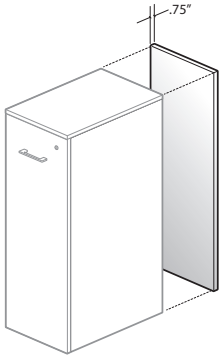


Storage Pantry

40"H and 48"H

Height	Depth	Width	Number ①	②③④⑤	Case HPL A Front - HPL		Case HPL B Front - HPL		
					A	B	A	B	
Worksurface Depth									
40"(1016mm)	24"(610mm)	12"(305mm)	QLG1-4012-	LLF	\$ 2989.12	\$3026.45	\$ 3155.33	\$ 3192.66	
		15"(381mm)	QLG1-4015-	LLF	3048.25	3085.89	3218.30	3255.94	
		18"(457mm)	QLG1-4018-	LLF	3107.38	3145.02	3281.27	3318.91	
	30"(762mm)	12"(305mm)	QLM1-4012-	LLF	\$ 3157.96	\$ 3195.29	\$ 3336.41	\$ 3373.74	
		15"(381mm)	QLM1-4015-	LLF	3217.09	3254.73	3399.38	3437.02	
		18"(457mm)	QLM1-4018-	LLF	3276.22	3313.86	3462.35	3499.99	
	48"(1219mm)	24"(610mm)	12"(305mm)	QLG1-4812-	LLF	\$ 3113.12	\$ 3151.81	\$3285.89	\$3324.58
			15"(381mm)	QLG1-4815-	LLF	3172.25	3211.25	3348.86	3387.86
			18"(457mm)	QLG1-4818-	LLF	3231.38	3270.38	3411.83	3450.83
30"(762mm)		12"(305mm)	QLM1-4812-	LLF	\$ 3281.96	\$3320.65	\$3466.97	\$3505.66	
		15"(381mm)	QLM1-4815-	LLF	3341.09	3380.09	3529.94	3568.94	
		18"(457mm)	QLM1-4818-	LLF	3400.22	3439.22	3592.91	3631.91	
Extended Depth									
40"(1016mm)	25.5"(648mm)	12"(305mm)	QLG2-4012-	LLF	\$ 3027.44	\$3064.77	\$ 3193.65	\$3230.98	
		15"(381mm)	QLG2-4015-	LLF	3086.57	3124.21	3256.62	3294.26	
		18"(457mm)	QLG2-4018-	LLF	3145.70	3183.34	3319.59	3357.23	
	31.5"(800mm)	12"(305mm)	QLM2-4012-	LLF	\$ 3217.40	\$ 3254.73	\$3395.85	\$ 3433.18	
		15"(381mm)	QLM2-4015-	LLF	3276.53	3314.17	3458.82	3496.46	
		18"(457mm)	QLM2-4018-	LLF	3335.66	3373.30	3521.79	3559.43	
	48"(1219mm)	25.5"(648mm)	12"(305mm)	QLG2-4812-	LLF	\$ 3157.20	\$ 3195.89	\$3329.97	\$3368.66
			15"(381mm)	QLG2-4815-	LLF	3216.33	3255.33	3392.94	3431.94
			18"(457mm)	QLG2-4818-	LLF	3275.46	3314.46	3455.91	3494.91
31.5"(800mm)		12"(305mm)	QLM2-4812-	LLF	\$ 3347.16	\$3385.85	\$ 3532.17	\$3570.86	
		15"(381mm)	QLM2-4815-	LLF	3406.29	3445.29	3595.14	3634.14	
		18"(457mm)	QLM2-4818-	LLF	3465.42	3504.42	3658.11	3697.11	

Finished Back



QALF
Class BD – Discount Group XII

Features

- Includes: One field installed finished back and necessary hardware.
- Pantry with finished back will accommodate a saddle.
- Finished back on 28”(711mm)H pantry allows use of spacer to attach to worksurface.

Specification Tips

- Once installed the finished back is not removable.
- Optional round Bezel Utility Module must be installed prior to installing the finished back.
- Finished back not required when pantry back is applied against a panel and not exposed.

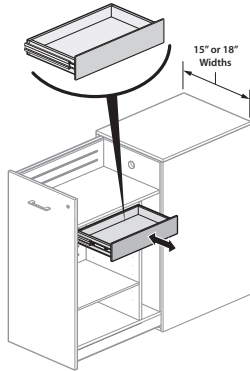
To Order, Specify:

- 1) Product number.
- 2) Laminate color.
- 3) Laminate edgeband color.

Height	Depth	Width	Number	HPL	
				A	B
Laminate					
28”(711mm)	0.75”(19mm)	12”(305mm)	QALF-2812-L1	\$134.30	\$ 149.53
		15”(381mm)	QALF-2815-L1	148.52	164.89
		18”(457mm)	QALF-2818-L1	162.74	180.25
40”(1016mm)		12”(305mm)	QALF-4012-L1	\$ 181.82	\$200.65
		15”(381mm)	QALF-4015-L1	196.04	216.01
		18”(457mm)	QALF-4018-L1	210.26	231.37
48”(1219mm)		12”(305mm)	QALF-4812-L1	\$213.50	\$ 234.73
		15”(381mm)	QALF-4815-L1	227.72	250.09
		18”(457mm)	QALF-4818-L1	241.94	265.45

Accessories

Personal Drawer



QALD
Class BD – Discount Group XII

Features

- Includes: One birchwood drawer frame with painted steel front, steel ball bearing drawer slides and hardware.
- Drawer to be field installed.
- Drawer is non-locking.

Specification Tips

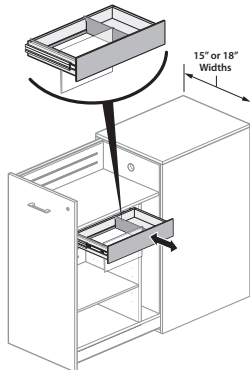
- Compatible with Beside Pantry only.
- Limit 3 drawers allowed per pantry.
- For use with 15”(381mm) and 18”(457mm)W and 30”(762mm) and 31.5”(800mm)D pantries.

To Order, Specify:

- 1) Product number.
- 2) Drawer front trim color.

Height	Depth	Width	Number	Trim	
				A	B
4”(102mm)	20”(508mm)	11.5”(292mm)	QALD-2415-S	\$355.27	\$363.16

Hanging File Drawer



QALH
Class BD – Discount Group XII

Features

- Includes: One birchwood drawer frame with painted steel front, steel ball bearing drawer slides and hardware.
- Drawer to be field installed.
- Letter size front to back filing.
- Drawer is non-locking.

Specification Tips

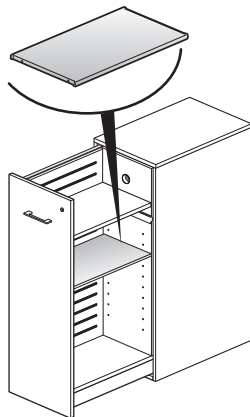
- Compatible with Beside Pantry only.
- For use with 15”(381mm) and 18”(457mm)W and 30”(762mm) and 31.5”(800mm)D pantries.

To Order, Specify:

- 1) Product number.
- 2) Drawer front trim color.

Height	Depth	Width	Number	Trim	
				A	B
4”(102mm)	20”(508mm)	11.5”(292mm)	QALH-2415-S	\$434.21	\$450.00

Adjustable Shelf



QALS
Class BD – Discount Group XII

Features

- Includes: Painted steel shelf and attachment hardware.
- Shelves adjust in 2”(51mm) increments.
- 30”(762mm) pantry with valet uses 24”(610mm)D shelf.

Specification Tips

- To relocate shelves, use pliers to remove the four shelf studs.
- Can be used with or without the lower slat rail. Shelf will sit flush to the slat rail or flush to the back of the pantry.

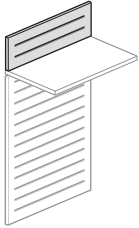
To Order, Specify:

- 1) Product number.
- 2) Trim color.

Height	Depth	Width	Number	Trim	
				A	B
.08”(2mm)	24”(610mm)	12”(305mm)	QALS-2412-S	\$168.96	\$195.93
		15”(381mm)	QALS-2415-S	174.87	204.21
		18”(457mm)	QALS-2418-S	180.78	212.49

Accessories

Upper Slat Rail



QALA
Class BD – Discount Group XII

Features

- Includes: One painted steel slat rail and attachment hardware.
- Attaches above the fixed shelf inside Beside Pantry.
- Compatible with Belong accessories. Tool cup must be used on bottom accessory rail. Hanging sorter cannot be used with Upper Slat Rail.

To Order, Specify:

- 1) Product number.
- 2) Trim color.

Height	Depth	Number	Trim	
			A	B
6"(152mm)	24"(610mm)	QALA-2406-S	\$145.22	\$156.39
	30"(762mm)	QALA-3006-S	164.12	180.15

Lower Slat Rail



QALB
Class BD – Discount Group XII

Features

- Includes: One painted steel slat rail and attachment hardware.
- Attaches below the fixed shelf inside Beside Pantry.

To Order, Specify:

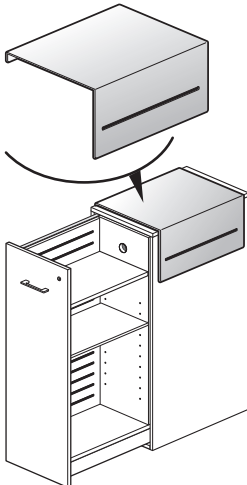
- 1) Product number.
- 2) Trim color.

Specification Tips

- Compatible with Belong accessories.
- Not available on 28"(711mm)H pantry.

Height	Depth	Number	Trim	
			A	B
27.5"(699mm)	24"(610mm)	QALB-2440-S	\$409.71	\$460.20
35.5"(902mm)	24"(610mm)	QALB-2448-S	472.27	532.04

Saddle



QAGC
Class BD – Discount Group XII

Features

- Includes one painted steel saddle with accessory slot.
- Accessory slot accommodates Belong accessories.
- Saddle extends down over one side of the Beside Pantry.
- Saddle on 40"(1016mm) H Pantry extends down 9.5"(229mm). Saddle on 48"(1219mm) H Pantry extends down 17.5"(432mm).

To Order, Specify:

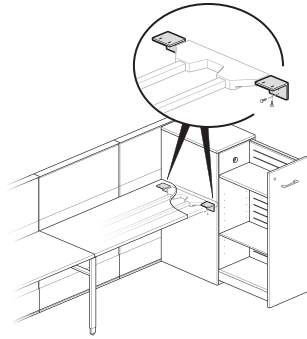
- 1) Product number.
- 2) Trim color.

Specification Tips

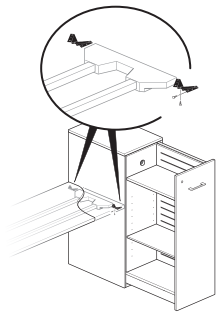
- For use on 40"(1016mm) or 48"(1219mm)H storage pantry only.
- Match width of saddle to width of storage pantry.

Case Height	Depth	Width	Number	Trim	
				A	B
40"(1016mm)	24"(610mm)	12"(305mm)	QAGC-4012-SS	\$ 331.36	\$ 451.48
		15"(381mm)	QAGC-4015-SS	345.58	470.41
		18"(457mm)	QAGC-4018-SS	359.80	489.34
48"(1219mm)	24"(610mm)	12"(305mm)	QAGC-4812-SS	\$ 381.84	\$520.92
		15"(381mm)	QAGC-4815-SS	396.06	539.85
		18"(457mm)	QAGC-4818-SS	410.28	558.78
40"(1016mm)	30"(762mm)	12"(305mm)	QAMC-4012-SS	\$350.26	\$ 479.92
		15"(381mm)	QAMC-4015-SS	364.48	498.85
		18"(457mm)	QAMC-4018-SS	378.70	517.78
48"(1219mm)	30"(762mm)	12"(305mm)	QAMC-4812-SS	\$400.74	\$549.36
		15"(381mm)	QAMC-4815-SS	414.96	568.29
		18"(457mm)	QAMC-4818-SS	429.18	587.22

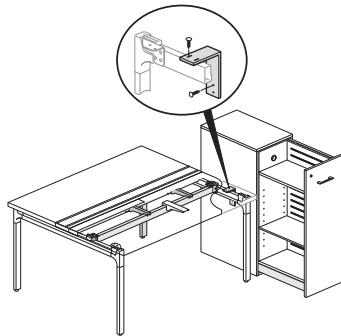
Attachment Brackets



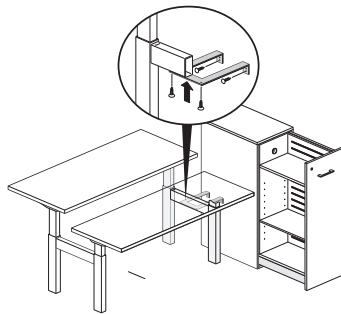
ZUBW-0000-PN



ZUBT-0307-PN



ZBBG-0000-PN



ZTBG-0000-PN
Class BD – Discount Group XII

Features

- Includes: One steel non-handed bracket and hardware.
- For use with 40”(1016mm) and 48”(1219mm) H Pantry.

Specification Tips

- Two ZUBW-0000-PN brackets (standard in Black) are used to attach one end of an Adaptable Worksurface in an off modular worksurface condition in a Compose panel application. The back of the off-modular worksurface must also be attached to the panel with a worksurface support bracket.
- Two ZUBT-0307-PN brackets (standard in Black) are used in the following conditions:
 - To attach one end of an Adaptable rectangular convergent worksurface with a maximum width of 60”(1524mm) in a non-panel based application. Opposite end requires a floor support option or to be attached to another storage pantry.
- Two ZBBG-0000-PN brackets are used to attach one end of an Intuity Worksurface in conjunction with Intuity support legs adjacent to the storage pantry in the following conditions:
 - When passing power through storage pantry or pantries to another Intuity worksurface.
 - To support a 12”(305mm)W storage pantry if field supplied ganging hardware is not applicable.
- Two ZTBG-0000-PN brackets are used to attach one end of an Planes Height Adjustable Table - Bench worksurface in the following conditions:
 - When passing power through storage pantry or pantries to another Planes Height Adjustable Table - Bench worksurface.
 - To support a 12”(305mm)W storage pantry if field supplied ganging hardware is not applicable.
- Back to back pantries will have one bracket per side.
- Jumper and Grommets are separately specified for routing power from desk-to-desk through a pantry or pantries.

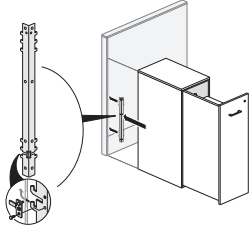
To Order, Specify:

- 1) Product number.
- 2) Trim color (if applicable).

Description	Number	Trim	
		A	B
Adaptable WS	ZUBW-0000-PN	\$38.18	N/A
Adaptable Rectangular Convergent WS	ZUBT-0307-PN	49.72	N/A
Intuity	ZBBG-0000-PN	61.22	69.29
Planes Height Adjustable Table-Bench	ZTBG-0000-PN	77.30	85.37

Attachment Brackets

Compose Panel To Pantry Bracket



ZZBF-1800-PNW
Class BD – Discount Group XII

Features

- Includes: One painted steel non-handed panel to pantry bracket.
- Used to attached Compose Full Panel Frame to Beside Pantry.
- For use with panels equal or taller than Beside Pantry.
- Installs in panel frame slots and attaches to the back corner.

Specification Tips

- Installation requires drilling of Pantry.
- Not for use with finished back.

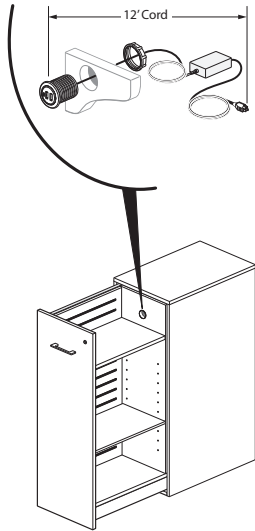
To Order, Specify:

- 1) Product number.
- 2) Trim color.

Description	Number	Trim	
		A	B
Compose Panel, Anti-Dislodgement Bracket, X Series 2H Storage & Beside Pantry	ZZBF-1800-PNW	\$139.97	\$160.19

Electrical Components

Bezel Utility Model



Features

- Includes: Round faced Power Module and mounting hardware.
- For use on surfaces 0.75"(19mm) - 1.44"(37mm) thick.
- Available with: One two port USB charger. Consists of two USB outlets with 1000mA of charging power (5 volts) per USB outlet.
- Available in black or supplier white only.

Specification Tips

- For use with 120 volt 60 hertz power sources only.
- Unit has one cord with 2"(51mm)x 1"(25mm) x 3"(76mm) voltage transformer plug. Transformer may block adjacent outlets.
- Field installed.
- Application may require approval of local authority having jurisdiction (AHJ); ensure compliance before placing orders and installing.

To Order, Specify:

1) Product number, including:

1 Color Options:

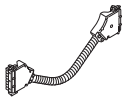
- B** Black
- W** White

Description	Diameter	Number	1	Price
12' Cord	1.75"(44mm)	EURT-00E4-1010C		\$447.77

EURT-00E4-1010
Class YA - Discount Group XIII



Jumpers



EUEJ-0036-2
Class YA - Discount Group XIII



Features

- Includes flexible metal power jumper with safety latches.
- For use with power components.
- Jumpers cannot be coupled together.
- Field installed.

Specification Tips

- Jumper routes power from desk/bench through a storage pantry or two side-by-side storage pantries to another desk/bench.
- For use with the following powered desk/bench applications:
 - Intuity
 - Planes Height Adjustable Table - Bench
- Not for use with Planes Height Adjustable Tables.
- Each jumper requires (2) separately specified grommets (KUAG-0204-PA); one for the exposed entry site and one for the exposed exit site.
- Refer to Specification Guide for calculation of jumper length.
- Do not mix components from different wiring configurations. Unique polarity keys and colors are used for each wiring configuration. (3 circuit=black, 2+2=blue, 3+1=green).

To Order, Specify:

1) Product number.

1 Power Option

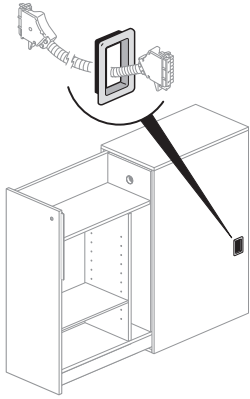
- 3** 3-Circuit
- 2** 4-Circuit, 2+2
- 4** 4-Circuit, 3+1

(No finish specification required.)

Actual Length	Number	1	Price
36"(914mm)	EUEJ-0036-		\$ 198.79
42"(1067mm)	EUEJ-0042-		209.59
48"(1219mm)	EUEJ-0048-		220.39
54"(1372mm)	EUEJ-0054-		231.19
60"(1524mm)	EUEJ-0060-		241.99

Electrical Components

Grommet



KUAG
Class YA - Discount Group XIII

Features

- Includes one grommet.
- Standard in black.
- Installed in field drilled hole.

To Order, Specify:

- 1) Product number.
(No finish specification required.)

Height	Depth	Width	Number	Price
4" (102mm)	0.68" (17mm)	2" (51mm)	KUAG-0204-PA	\$34.61

Surface Materials

Finish Color Legend

HPL

Grade A

Solid Color

H-34	Beige
H-AK	Chalk
H-8J	Charcoal
H-3J	Graphite
H-62	Gray Tone
H-WL	Linen
H-3P	Platinum
H-AA	Putty
H-3E	Smoke

Patterned

H-P1	Linen Casual
H-P2	Linen Classic
H-P3	Linen Crisp
H-P4	Linen Flax

Wood Grain

H-AE	Maple
------	-------

Grade B

Premium Wood Grain

H-KA	Brazilwood
H-KG	Columbian Walnut
H-KP	Field Elm
H-KN	Grey Elm
H-KM	Landmark Wood
H-KL	Neo Walnut
H-KC	New Age Oak
H-KR	Phantom Ecru
H-KS	Phantom Pearl
H-KD	River Cherry
H-KF	Williamsburg Cherry

Edgeband

Solid Color

HP-34	Beige
HP-AK	Chalk
HP-8J	Charcoal
HP-3J	Graphite
HP-62	Gray Tone
HP-WL	Linen
HP-3P	Platinum
HP-AA	Putty
HP-3E	Smoke

Patterned Edgeband

HP-P1	Linen Casual
HP-P2	Linen Classic
HP-P3	Linen Crisp
HP-P4	Linen Flax

Wood Grain

HP-KA	Brazilwood
HP-KG	Columbian Walnut
HP-KP	Field Elm
HP-KN	Grey Elm
HP-KM	Landmark Wood
HP-AE	Maple
HP-KL	Neo Walnut
HP-KC	New Age Oak
HP-KR	Phantom Ecru
HP-KS	Phantom Pearl
HP-KD	River Cherry
HP-KF	Williamsburg Cherry

Ply-Edge

HP-PW	Ply-Edge
-------	----------

Trim

Grade A

Smooth

TR-R	Beige
TR-F	Black
TR-AK	Chalk
TR-K	Charcoal
TR-C1	Cocoa
TR-J	Graphite
TR-G	Gray Tone
TR-AA	Putty
TR-E	Smoke
TR-PLS	Smooth Plaster
TR-FM	Snow

Textured

TR-TG	Grout
TR-TF	Pitch
TR-TW	Plaster

Grade B

Smooth

TR-1C	Accent Blue
TR-1G	Blue Jay
TR-1R	Brownstone
TR-1N	Night
TR-1Q	Park
TR-RR	Rusty Red
TR-1M	Sable
TR-1J	Sky Blue

Smooth Metallic

TR-MC	Metallic Champagn
TR-MG	Metallic Gunmetal
TR-LE	Metallic Silver

Textured Metallic

TR-HE	Hellenic
-------	----------

ALERT: These materials are current, however they are being considered for future obsolescence due to low volume.

HPL

H-AM	Amber Cherry
H-AD	Medium Cherry

Edgeband

HP-AM	Cherry
HP-AD	Medium Cherry

Trims

TR-1E	Accent Orange
TR-1F	Accent Red
TR-AR	Argent
TR-CTS	Chartreuse
TR-DM	Dark Bronze Metallic
TR-1H	Terra
TR-1K	Wren

Index

Products are listed alphabetically in this index by alpha-numeric prefix/suffix codes.

<u>Product Code</u>	<u>Product Description</u>	<u>Page</u>
EUEJ-0036-2	Electrical Components – Jumpers	.14
EURT-00E4-1010	Electrical Components – Bezel Utility Model	.14
KUAG	Electrical Components – Grommet	.15
QAGC	Accessories – Saddle	.11
QALA	Accessories – Upper Slat Rail	.11
QALB	Accessories – Lower Slat Rail	.11
QALD	Accessories – Personal Drawer	.10
QALF	Finished Back	.9
QALH	Accessories – Hanging File Drawer	.10
QALS	Accessories – Adjustable Shelf	.10
QLG1-LLF	Storage Pantry – 40”H and 48”H	.7
QLG1-ZLLF	Storage Pantry – 28”H	.6
ZBBG-0000-PN	Attachment Brackets	.12
ZTBG-0000-PN	Attachment Brackets	.12
ZUBT-0307-PN	Attachment Brackets	.12
ZUBW-0000-PN	Attachment Brackets	.12
ZZBF-1800-PNW	Attachment Brackets – Compose Panel to Pantry Bracket	.13



This page intentionally left blank.

Product Compatibility and Limited Warranty Policy

Great Expectations

You have them as a Haworth customer and so do we. And because we value our customers, we cover our products with the Haworth North America Product Compatibility and Limited Warranty Policy.

Our Commitment To Product Compatibility – Integrated Product Platforms

As a market leader in the design and manufacture of workspaces that adapt to change, we strive to maintain product compatibility within our various generations of integrated product platforms. This benefits the customer who desires to update or modify their work environment. It also benefits the customer needing to replace a product due to damage or other reasons but which is no longer manufactured or is otherwise unavailable, such as a fabric or finish that is discontinued because of changing market preferences. In both circumstances, we often can provide products with comparable function and performance.

Our Commitment To Product Quality – The Haworth North America Limited Warranty

To ensure customer satisfaction and peace of mind, we stand behind our products with the Haworth North America Limited Warranty. To review the current version of the limited warranty including its terms and conditions, please go to:

www.haworth.com/warranty or contact OneTouch@Haworth.com or 1 877 429 6784.

Warranty Requests or Questions

For questions or service requests pertaining to the Haworth Limited Warranty, please contact your Haworth dealer.

If you are unsure who your dealer is, please contact **OneTouch@Haworth.com or 1 877 429 6784.**

Effective: September 1, 2021

Terms of Sale

The Terms of Sale apply to all products in the North America Price Lists. To review the current version of the North American Terms of Sale, please go to:

www.haworth.com/terms-of-sale or contact OneTouch@Haworth.com or 1 877 429 6784.

Effective: September 2, 2022

HAWORTH® is a registered trademark of Haworth, Inc.

© Haworth, Inc. All rights reserved. 2024.2.24 | Item # LIT21008

haworth.com | 800 344 2600